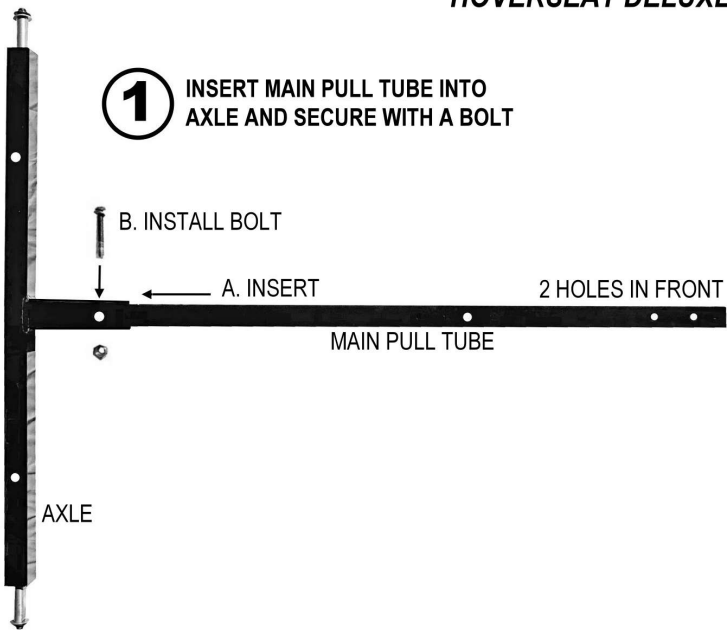


# HOVERSEAT DELUXE ASSEMBLY INSTRUCTIONS



**1** INSERT MAIN PULL TUBE INTO AXLE AND SECURE WITH A BOLT

B. INSTALL BOLT

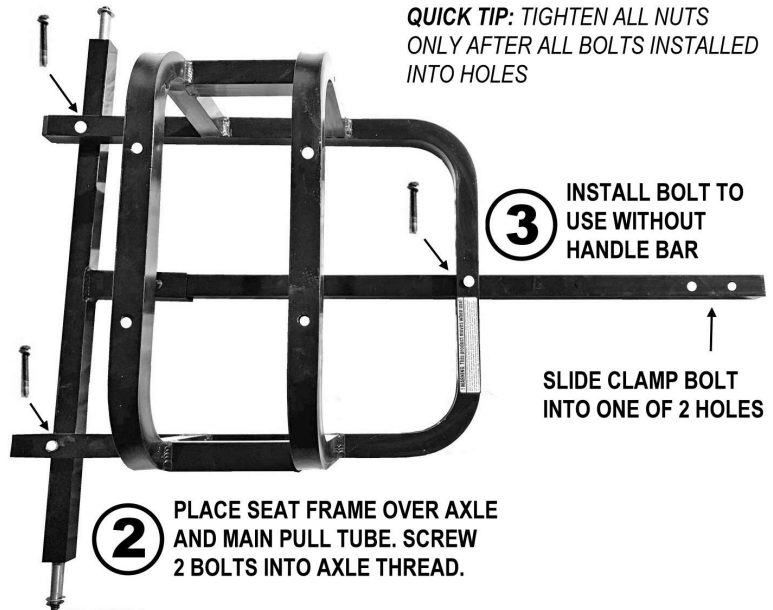
A. INSERT

2 HOLES IN FRONT

MAIN PULL TUBE

AXLE

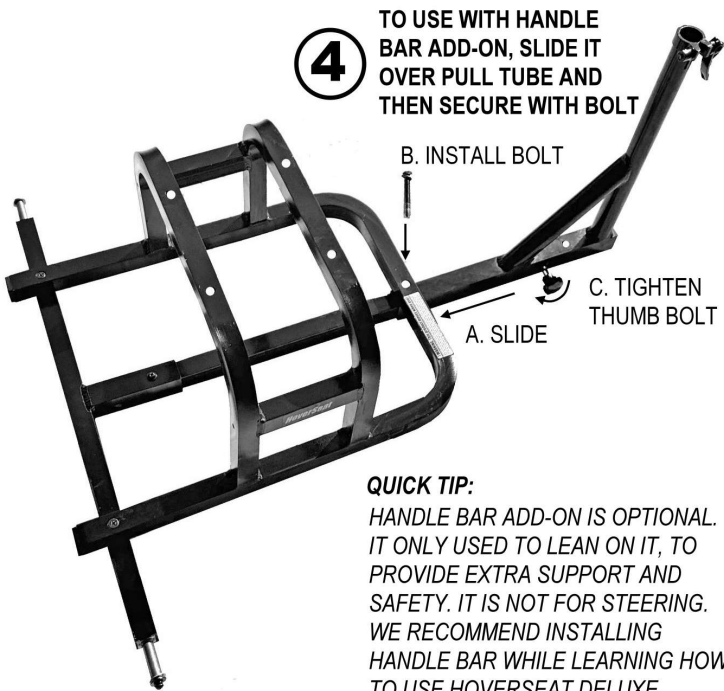
**QUICK TIP:** TIGHTEN ALL NUTS ONLY AFTER ALL BOLTS INSTALLED INTO HOLES



**3** INSTALL BOLT TO USE WITHOUT HANDLE BAR

SLIDE CLAMP BOLT INTO ONE OF 2 HOLES

**2** PLACE SEAT FRAME OVER AXLE AND MAIN PULL TUBE. SCREW 2 BOLTS INTO AXLE THREAD.



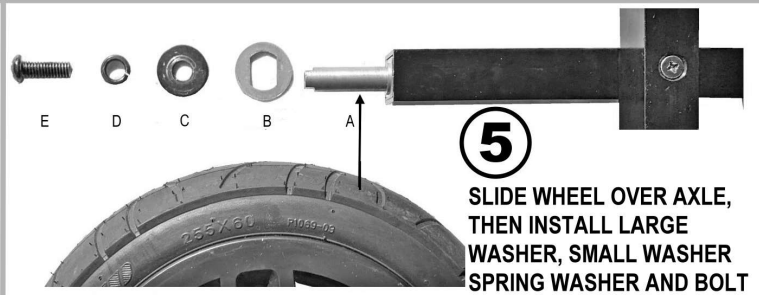
**4** TO USE WITH HANDLE BAR ADD-ON, SLIDE IT OVER PULL TUBE AND THEN SECURE WITH BOLT

B. INSTALL BOLT

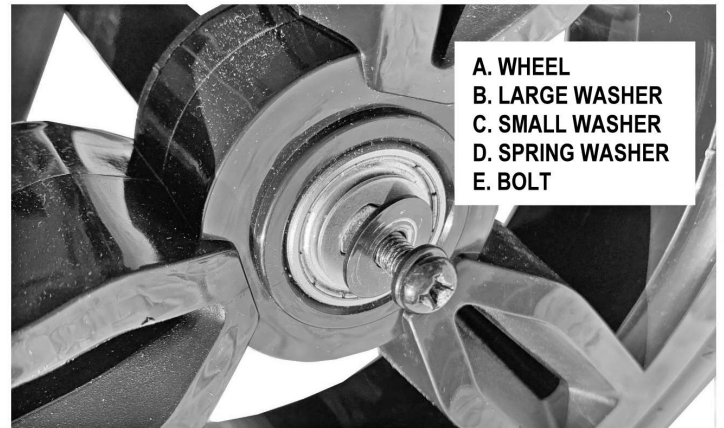
C. TIGHTEN THUMB BOLT

A. SLIDE

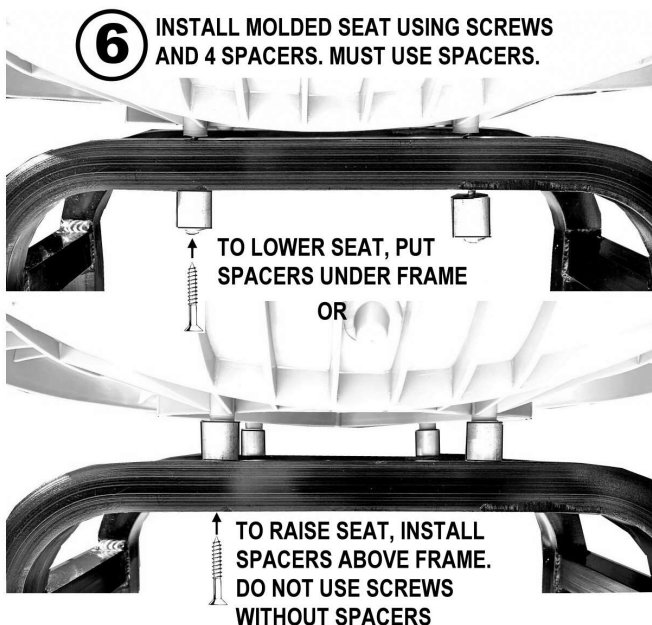
**QUICK TIP:** HANDLE BAR ADD-ON IS OPTIONAL. IT ONLY USED TO LEAN ON IT, TO PROVIDE EXTRA SUPPORT AND SAFETY. IT IS NOT FOR STEERING. WE RECOMMEND INSTALLING HANDLE BAR WHILE LEARNING HOW TO USE HOVERSEAT DELUXE



**5** SLIDE WHEEL OVER AXLE, THEN INSTALL LARGE WASHER, SMALL WASHER SPRING WASHER AND BOLT



A. WHEEL  
B. LARGE WASHER  
C. SMALL WASHER  
D. SPRING WASHER  
E. BOLT



**6** INSTALL MOLDED SEAT USING SCREWS AND 4 SPACERS. MUST USE SPACERS.

TO LOWER SEAT, PUT SPACERS UNDER FRAME

OR

TO RAISE SEAT, INSTALL SPACERS ABOVE FRAME. DO NOT USE SCREWS WITHOUT SPACERS

**7** FINISH ASSEMBLY BY INSTALLING HANDLE BAR AND CLAMP

**PLEASE NOTE:** CLAMP ONLY FIT OVER HOVERSEAT WITH ROUND CENTER PIECE.

FOR BEST PERFORMANCE WE RECOMMEND 10" WHEEL HOVERSEAT.

RE-CALIBRATE HOVERSEAT SO THAT FOOT PADS ANGLED TOWARD RIDER.



SLIDE HANDLEBAR AND SECURE WITH QUICK RELEASE

ADJUST NUT TO TIGHTEN QUICK RELEASE

INSTALL CLAMP THROUGH HOLE IN PULL TUBE SO THAT IT CAN ROTATE FREELY.

LATCH FACING FORWARD