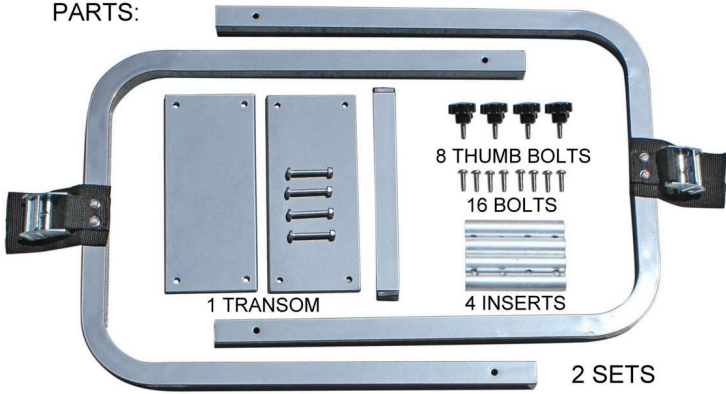


CATAMARAN FRAME ASSEMBLY

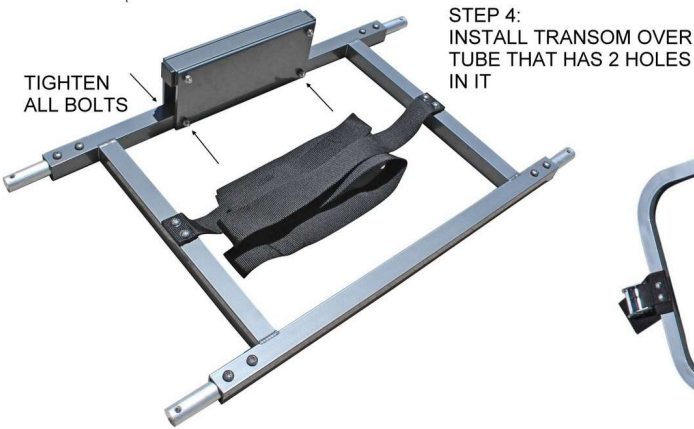
PARTS:



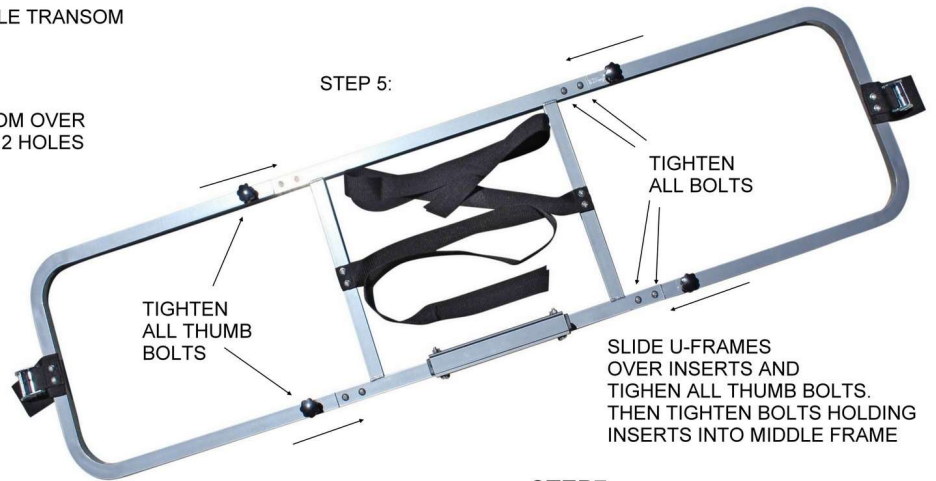
STEP 1:



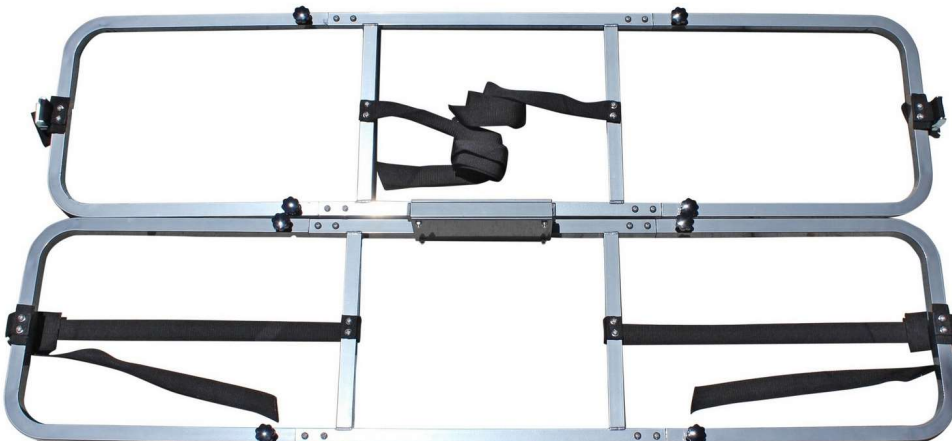
STEP 2:



STEP 5:



STEP 6: REPEAT ASSEMBLY FOR 2ND FRAME



STEP 7:

