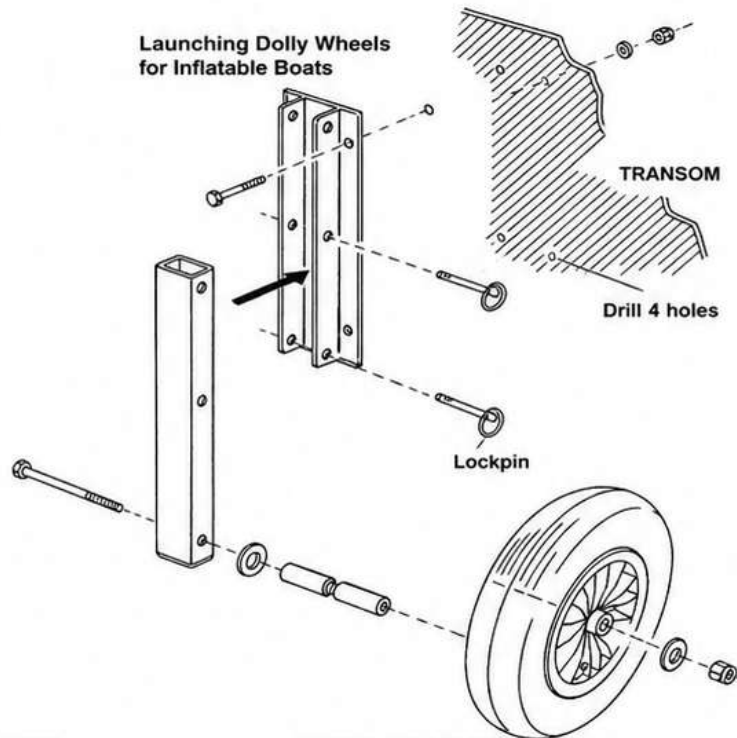


LAUNCHING DOLLY WHEELS ASSEMBLY INSTRUCTIONS



PARTS INCLUDED (PER WHEEL)

- 1 Wheel mounting leg (square aluminum tube)
- 1 Transom mounting bracket
- 1 Pneumatic wheel
- 1 Axle bolt (long bolt with head)
- 1 Large flat washer
- 1 Spacer sleeve
- 1 Small flat washer
- 1 Nylon lock nut
- 2 Lockpins (for attaching the wheel assembly to the transom bracket)

TOOLS REQUIRED

- Two wrenches (or one wrench and one socket)
- Adjustable wrench (if necessary)

WHEEL ASSEMBLY

- 1. Install the Axle Bolt**
Insert the long axle bolt through the lower hole in the wheel leg from the inside toward the outside, as shown in the illustration.
- 2. Install the Large Washer**
Place the large flat washer onto the axle bolt. This washer sits between the aluminum wheel leg and the spacer sleeve.
- 3. Install the Spacer Sleeve**
Slide the spacer sleeve onto the axle bolt. The spacer fits between the wheel leg and the wheel and allows the wheel to rotate freely.
- 4. Install the Wheel**
Slide the wheel onto the axle bolt. Make sure the wheel rotates freely.
- 5. Install the Small Washer**
Place the small flat washer onto the axle bolt on the outside of the wheel.
- 6. Install the Lock Nut**
Thread the nylon lock nut onto the axle bolt. Using two wrenches, tighten the lock nut until it is snug. **IMPORTANT: Do not overtighten.** The wheel should spin freely with minimal side-to-side movement.

INSTALLING THE WHEEL ASSEMBLY ON THE BOAT

- 7. Install the Mounting Bracket**
Secure the mounting bracket to the boat transom using the supplied stainless-steel bolts, washers, and lock nuts. Refer to the transom installation instructions for the correct mounting location.
- 8. Install the Wheel Leg**
Slide the assembled wheel leg into the mounted transom bracket. Align the holes in the wheel leg with the desired operating position. Insert the two locking pins completely through the bracket and wheel leg. Verify that both locking pins are fully seated before moving the boat.

FINAL INSPECTION

Before using the launching wheels:

- Verify the wheel rotates freely.
- Confirm the axle nut is secure.
- Make sure both locking pins are fully inserted.
- Check that all transom mounting bolts are tight.
- Confirm the wheels lock securely in both the UP and DOWN positions.

MAINTENANCE

- Rinse the wheel assemblies with fresh water after use in salt water.
- Periodically check that all bolts and lock nuts remain tight.
- Lubricate the wheel axle occasionally with a waterproof marine grease if needed.
- Replace any worn or damaged locking pins before use.



IMPORTANT SAFETY NOTICE: These launching wheels are intended only for moving the boat over land. Always raise and lock the wheels in the UP position before operating the boat under power.