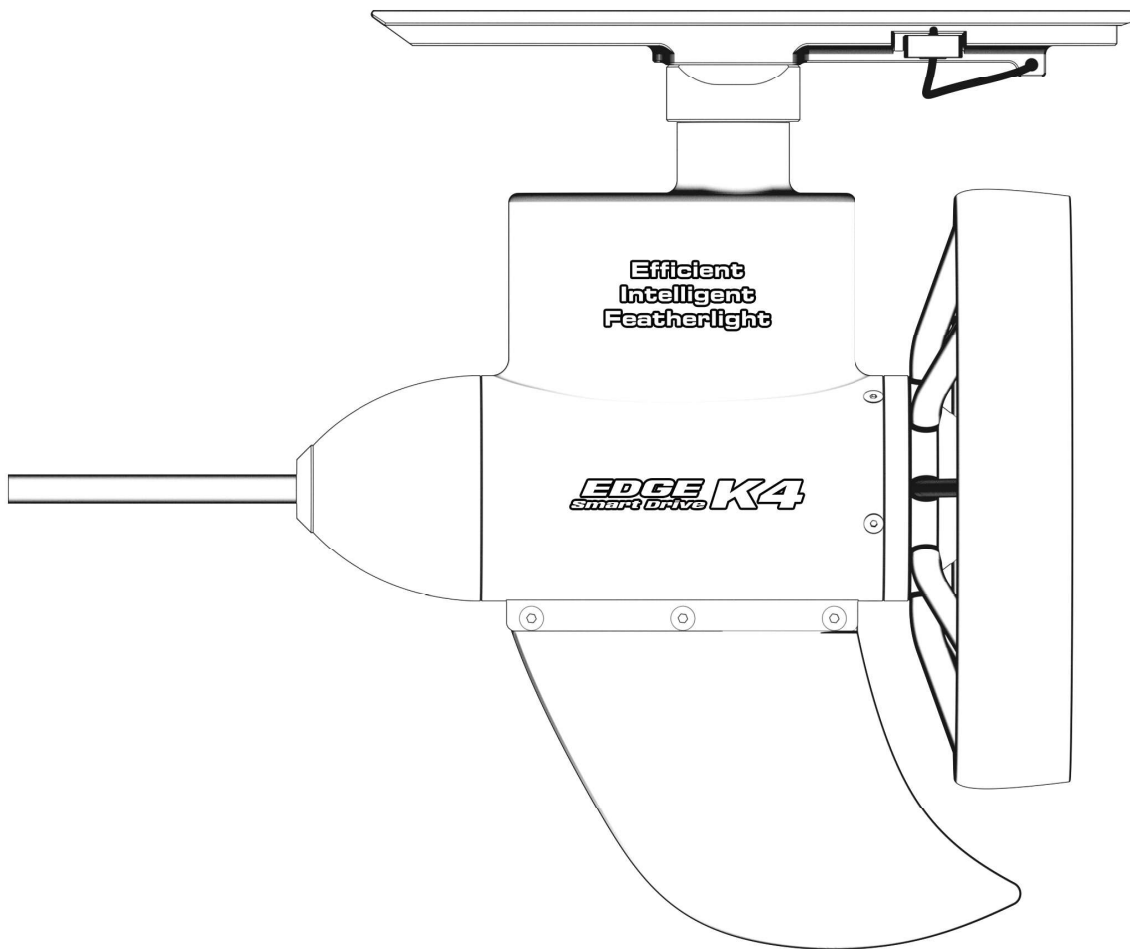




# **K4** SUP & Kayak Motor

Efficient | Intelligent | Featherlight

## Quick Guide



# User suggestions & Support

## ① Before First Use

Read the 《K4 User Manual》 for safety and setup instructions.

## ② Customer Support

Get manuals, troubleshooting, and videos at:

Official Website:<http://www.edgesmartdrive.com>  
Email:[info@edgesmartdrive.com](mailto:info@edgesmartdrive.com)

## Safety Precautions

### WARNING



Before using this product, carefully read the user manual to fully understand all operating procedures and safety precautions.



Always ensure companion supervision within immediate reach when operating the product underwater.



This product must not be used as a life-saving device.



Before operation, thoroughly inspect the product to confirm: undamaged battery, sufficient charge, normal propeller/thruster operation, and full functionality.



For safety, users must wear a life jacket or carry life-saving equipment at all times during operation.



When using this product in water, constantly monitor battery level and ensure returning before [complete depletion].



Constantly monitor surrounding waters during operation to ensure no boats or swimmers are present, preventing collision risks.



Before transport or air travel, always remove the battery from the device and store it separately in compliance with applicable regulations.



Never insert fingers into rotating propeller, and keep clothing/objects clear of propeller area during operation.



During operation, maintain special vigilance for long-haired persons near the kayak to prevent hair/clothing entanglement in the propeller.



Before operation, verify the waterway is suitable for kayaking and obtain necessary authorization from local authorities for powered vessel use.

# Tips

- 1、Fully charge the battery before use.
- 2、Do not use the product if it malfunctions.
- 3、Always operate in open water areas and be careful to avoid entanglement of clothing, algae, ropes, nets, shells, sand or other debris in the propeller to prevent hazards.
- 4、Do not operate the product directly on sandy beaches to prevent sand, shells or other debris from being sucked into the propeller.
- 5、To protect motor life, do not continuously operate for more than 30 seconds out of water. If any abnormal conditions occur (such as burning smell), immediately release the throttle to stop operation and disconnect power.
- 6、Do not consume alcohol or drugs before or during use of this product.
- 7、Do not expose the product surface to volatile substances like gasoline or rubber solutions, acidic substances, or sharp objects.
- 8、Do not place heavy objects on top of the product.
- 9、Do not throw batteries into fire.
- 10、When not in use, avoid direct sunlight exposure. High temperatures may damage the battery and potentially cause explosion or leakage.
- 11、This product is not suitable for use in waters containing sand or similar physical properties.
- 12、When operating in dark waters or at night, ensure adequate lighting is available.
- 13、Do not change batteries in water. Always change batteries in dry conditions with dry hands and dry equipment.
- 14、Always remove the product from water when not in use.
- 15、When multiple users operate multiple units simultaneously, maintain a minimum distance of 1.5m between units for safety.
- 16、Do not attempt unauthorized repairs by non-manufacturer service personnel. Improper repairs may lead to water leakage, damage, fire or electric shock.

# Product Overview:

The K4 is a revolutionary intelligent water propulsion system designed specifically for paddle boards, kayaks, and inflatable boats. It delivers powerful thrust and precise steering to completely free your hands. Whether you're a water sports enthusiast looking to extend your playtime, an angler needing hands-free fishing, a family wanting easier water access, or individuals with mobility challenges seeking new ways to enjoy the water, the K4 adapts perfectly. This versatile smart propulsion system installs instantly and works immediately, allowing everyone to effortlessly enjoy water activities and redefine their aquatic adventures.

## Key Features:

### 1. Smart Control

The K4 features one-touch speed lock for hands-free cruising at any speed. With seamless forward/reverse switching and remote steering, it delivers precise, agile maneuverability for effortless navigation enjoyment.

### 2. Multi-Function Remote Control

The K4's smart Bluetooth remote serves as your intelligent control terminal, combining precise operation with real-time status monitoring. Featuring a digital display, it offers three-speed adjustment (forward/reverse/steering) and cruise control, while displaying critical data including RPM, GPS speed, gear position, battery level, distance, voltage, and current. Stay in complete control of your device's operation in any environment.

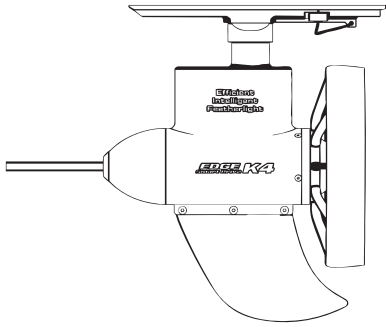
### 3. High Efficiency & Stability

The K4's brushless motor is specifically engineered for aquatic environments, paired with a hydrodynamically optimized propeller. This combination delivers efficient cruising with minimal power consumption, realizing our vision of eco-friendly performance.

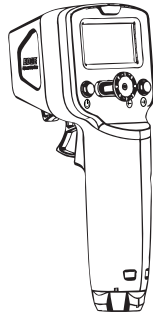
### 4. Compact Size, Powerful Thrust

Our ultra-compact design delivers maximum propulsion for paddle boards and kayaks while maintaining full waterproof functionality. The minimal size and weight ensure easy portability and installation without compromising performance.

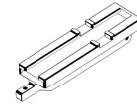
### 3、Package Contents



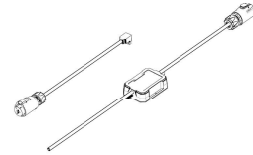
K4 Main Unit



K4 Remote Controller



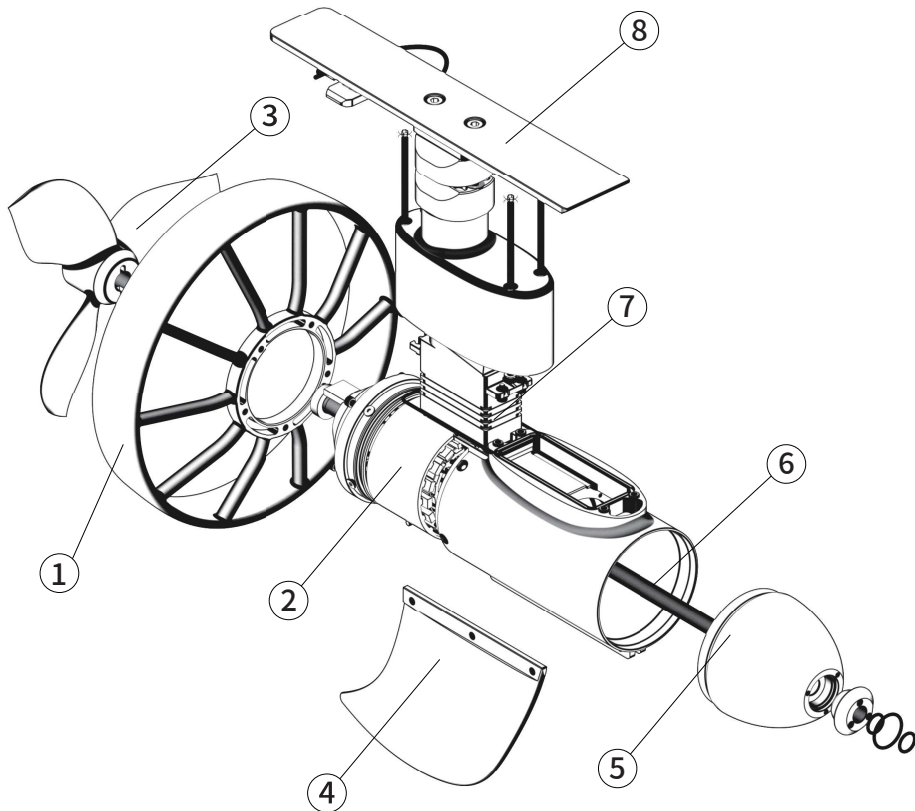
Fin Box Base

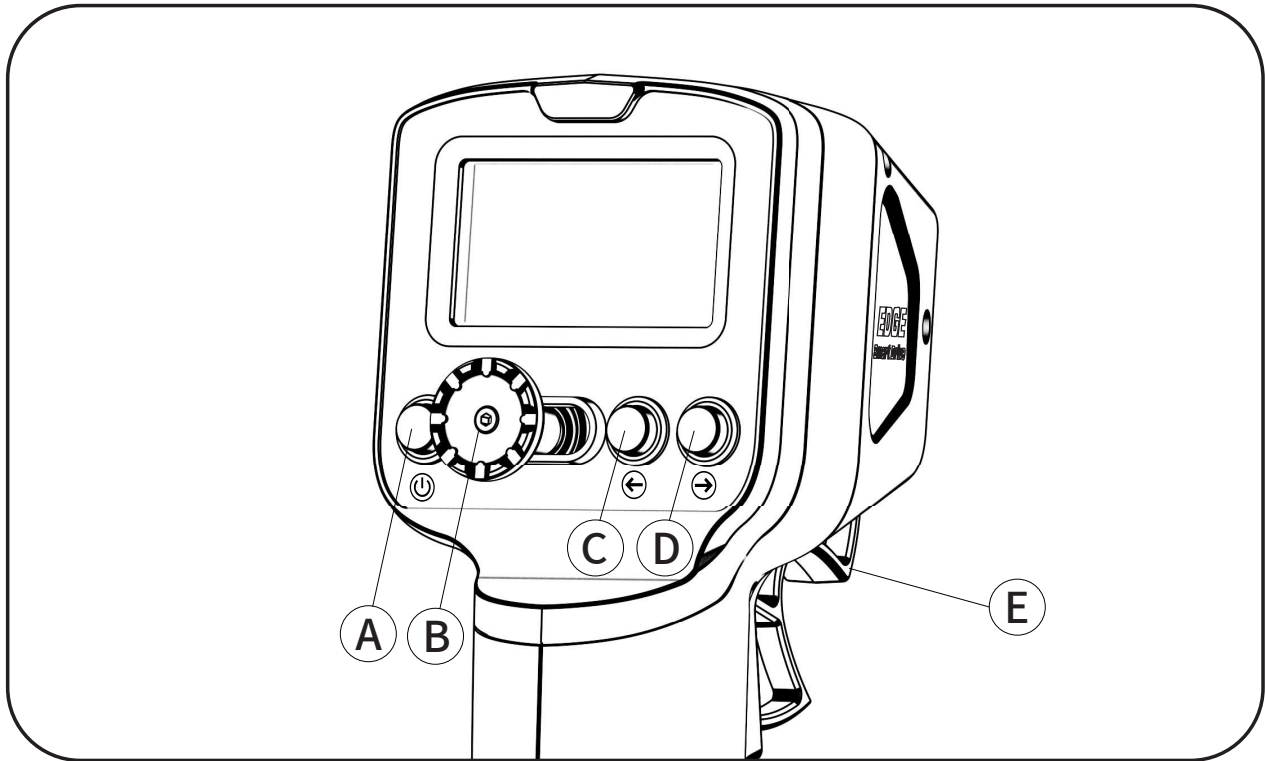


Power Adapter Cable + Bluetooth Module

### 4、Component Terminology

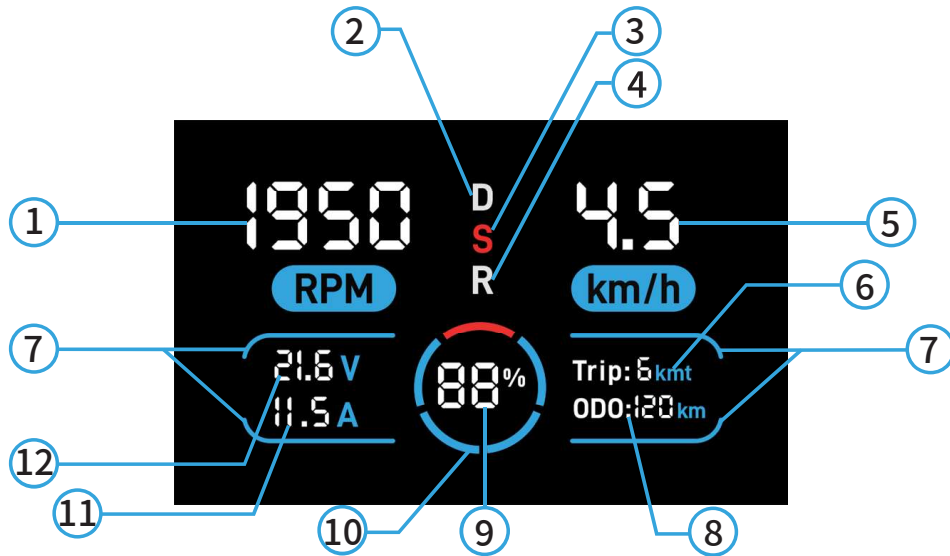
- ① Fairing
- ② Motor
- ③ Propeller
- ④ Stabilizer Fin
- ⑤ Head Cover
- ⑥ Power Cable
- ⑦ Steering Servo
- ⑧ Fin Box





## User Manual:

- Button A** – Power On/Off, Mode Switch, Cruise Control  
 Short press: Turn on  
 Long press (3-5 sec): Turn off  
 Double press: Switch between D mode (Normal) and S mode (Sport)  
 In cruise control: Short press to activate/deactivate (or pull/push throttle to cancel).
- Button B** – Rudder Joystick (Left/Right Steering)
- Button C** – Left Rudder Trim / Throttle Calibration  
 Short press: Adjust left rudder trim  
 Long press (3-5 sec): Reset throttle to zero.
- Button D** – Right Rudder Trim / Bluetooth Pairing  
 Short press: Adjust right rudder trim  
 Long press (3-5 sec): Enter Bluetooth pairing mode.
- Button E** – Throttle Trigger  
 Pull: Move forward  
 Push: Reverse  
 In cruise control: Pull/push to cancel.



## Display Information:

- |                                    |   |
|------------------------------------|---|
| ① :Motor RPM                       | ⑦ :Bluetooth Indicator<br>(Solid: Connected/Flashing: Disconnected) |
| ② :D - Standard Forward Mode       | ⑧ :Odometer (Total Distance)  |
| ③ :S - Sport Forward Mode          | ⑨ :6S Battery Level   |
| ④ :R - Reverse Mode                | ⑩ :Remote Battery Level   |
| ⑤ :Current Speed                   | ⑪ :Real-time Current  |
| ⑥ :Trip Distance (Current Session) | ⑫ :Battery Voltage  |

## Pre-Use Preparation:

### ● Check Components

Verify all included items are present after unboxing.

### ● Inspect Device

Carefully check for: housing cracks, detached protective cover, broken propeller blades, or damaged battery seals that may affect functionality.

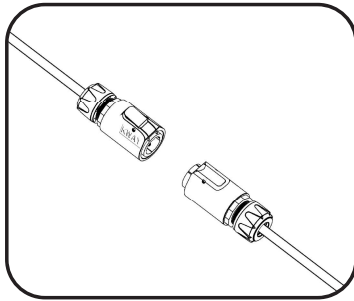
### ● Test Functions

(1)Bluetooth test: Briefly press A to power on remote, connect to K4, then verify propeller operation.

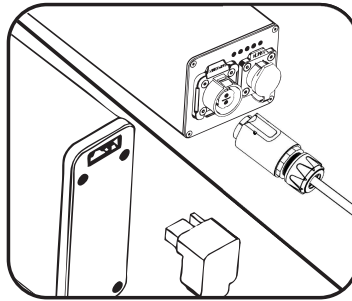
(2) Controller test: Press power button once (check for sticking) Verify power mode switching Test throttle: ① Stepless speed control ② Single press activates cruise ③ Any button cancels cruise.

⚠ If damage is found, DO NOT USE and contact K4 service. Do not operate out of water for >30 seconds.

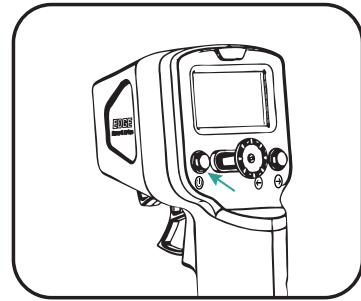
## Operating Procedure:



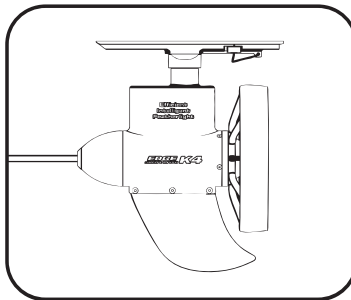
Connect the waterproof plug to the power source securely.



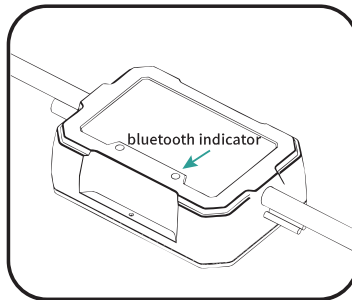
Connect to the power source via the XT30 port/2-pin waterproof plug. (External power source must be 6S).



Press the A button briefly to power on the remote



Ready for Use

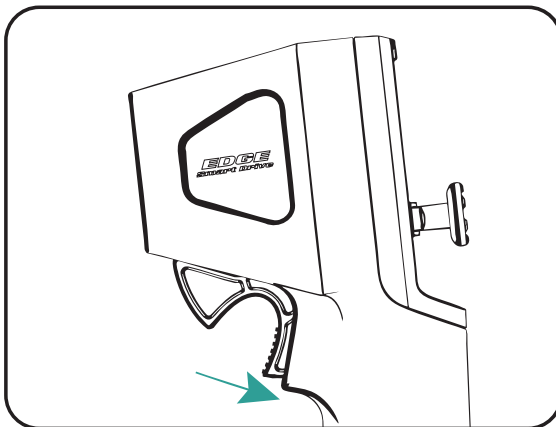


The pairing indicator of bluetooth module stays solid.

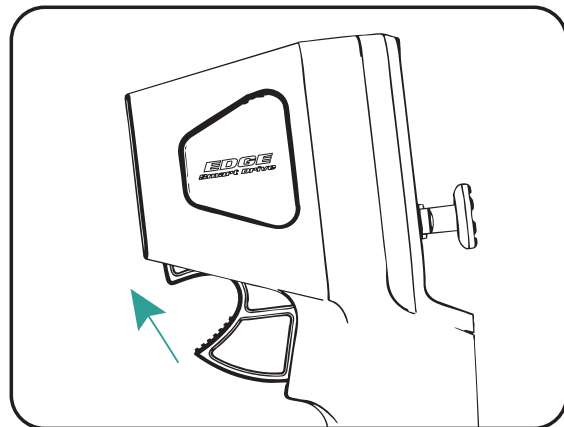


The flowing LED lights will stop blinking.

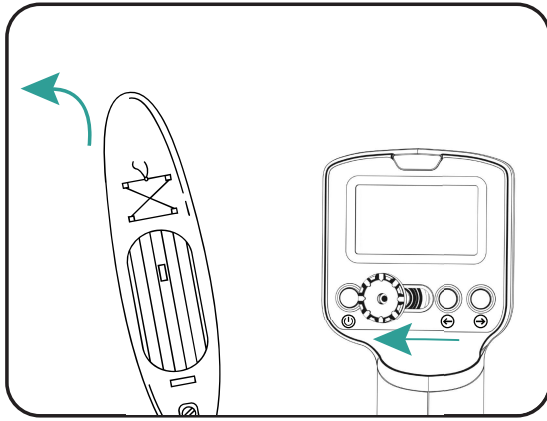
## Operation Instructions:



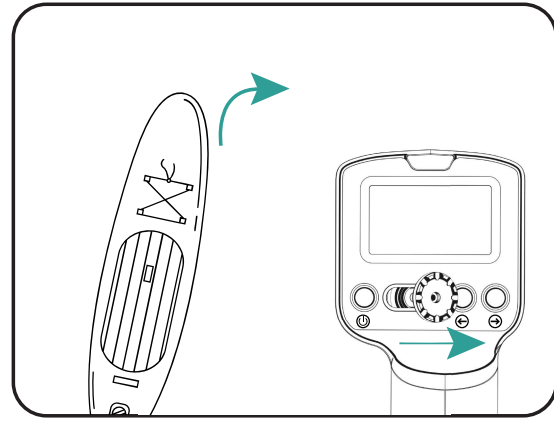
▲ Forward



▼ Backward



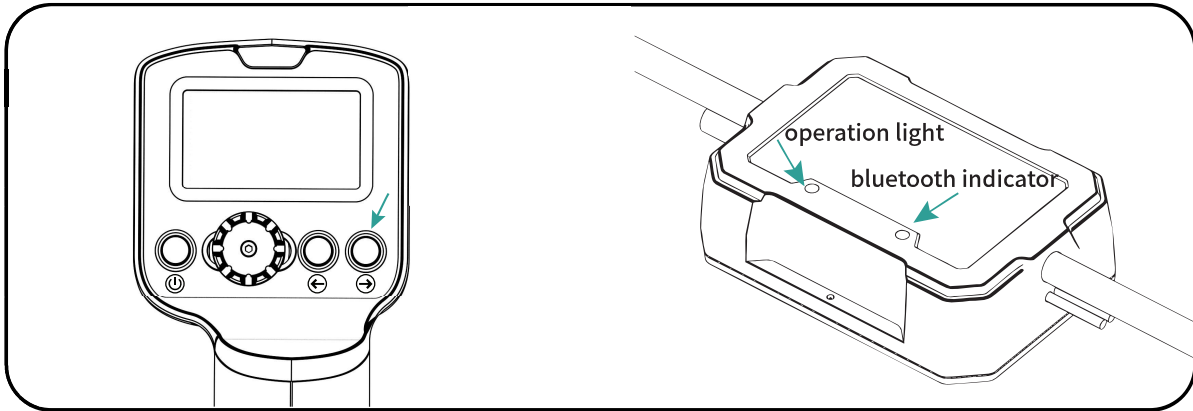
◀ Turn Left



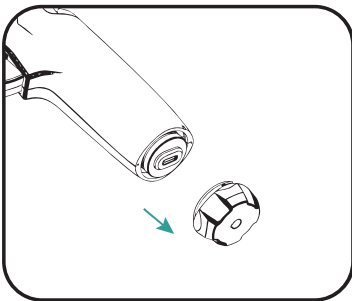
▶ Turn Right

## Bluetooth Pairing

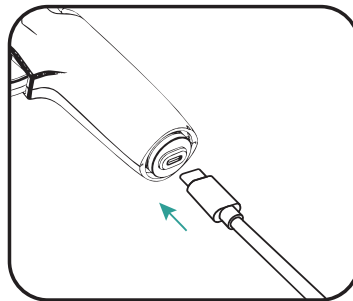
To re-pair Bluetooth (display shows "01/02"), release buttons to start pairing. Successful pairing is confirmed when Bluetooth indicator stays solid and operation light flashes.



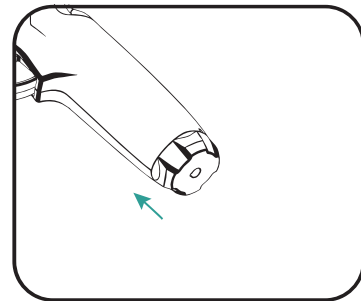
## Remote Control Charging Instructions



Twist open the waterproof charging port cover



Charge via USB-TypeC cable (fully charges in 2 hours)



After charging, securely screw the waterproof cover back on.

## Charging Precautions

1、Charge the remote immediately when the battery indicator shows 1 bar, or if the remote displays flickering/shutdown/failure to power on.